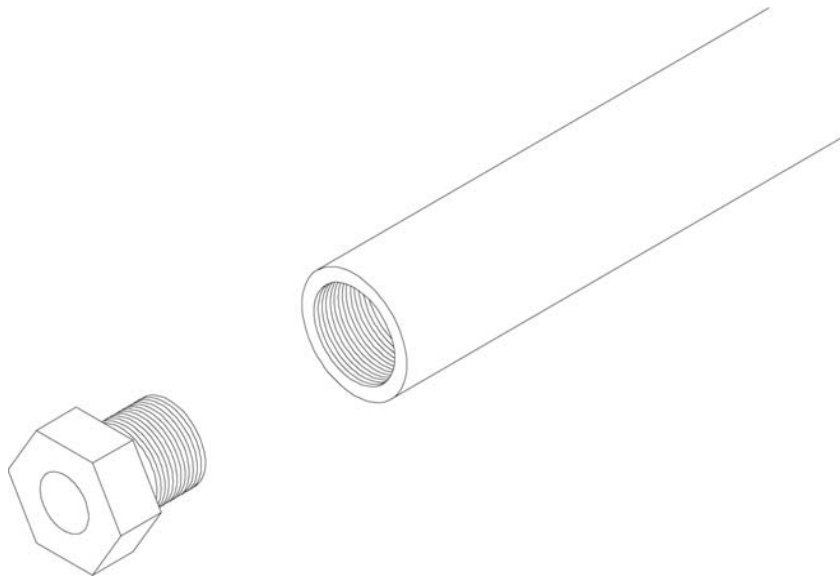


P.A.T. Air Nozzle Restrictor Plug

This can be installed into the discharge end of the air injector tube. Installing the nozzle will allow you to use a smaller air compressor and still maintain a higher speed at the work surface.

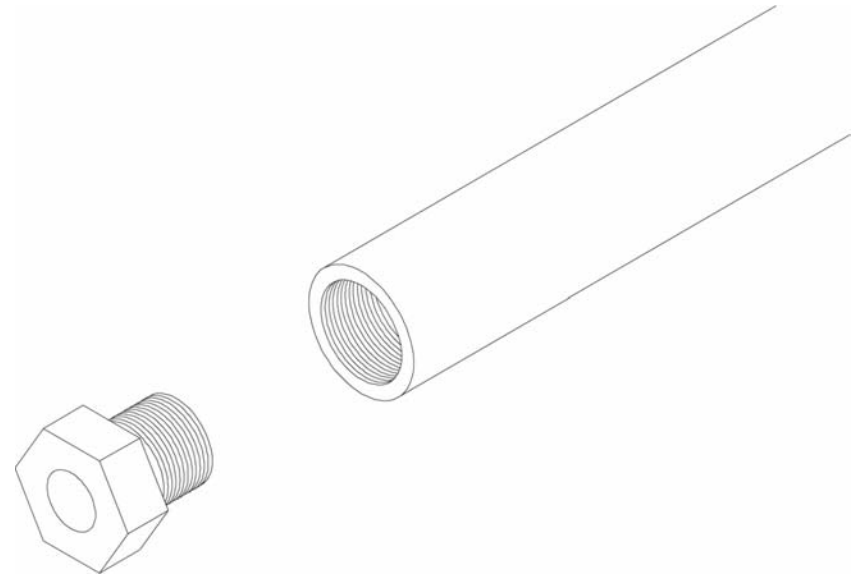
It is not necessary to use this nozzle if you are using a large air compressor



P.A.T. Air Nozzle Restrictor Plug

This can be installed into the discharge end of the air injector tube. Installing the nozzle will allow you to use a smaller air compressor and still maintain a higher speed at the work surface.

It is not necessary to use this nozzle if you are using a large air compressor



U.S. Veteran Owned & Operated
burners, inc.
Combustion Technology and Custom Metal Fabrication

PO Box 735 • Milford • MI 48381
www.burnersinc.com • info@burnersinc.com
Ph: 800-878-2876 • Fax: 800-878-9329

U.S. Veteran Owned & Operated
burners, inc.
Combustion Technology and Custom Metal Fabrication

PO Box 735 • Milford • MI 48381
www.burnersinc.com • info@burnersinc.com
Ph: 800-878-2876 • Fax: 800-878-9329